

Horizon

FOLDING

PF-40L

HANDLES A WIDE RANGE OF PAPER STOCK WITH SUCTION ROTOR FEEDING.



BENEFITS

QUICK AND EASY SETUP

Simply select sheet size and fold pattern and each section sets-up automatically. The folder is equipped with 2 buckles to meet a variety of folds. Fine-tune adjustment can be done at 0.1 mm for accurate folding.

A4 (8.5" x 11") finish letter fold^{*1} can be folded in the compact body.

^{*1} : Only letter fold is available when using the sheet which length is 630 mm or 24.80".

Standard Fold Patterns



Single Fold



Double Parallel Fold



Short Fold



Letter Fold



Accordion Fold



Open Gate Fold



HIGH QUALITY IN A COMPACT BODY.

High performance suction rotor feeding and accurate sheet registration leads to high quality folding.



PF-40L + MT-40L (Optional Table)

SIMPLE OPERATION PANEL

User friendly operator console for easy operation and setting. Programming such as pre-set counting and job memory can be set-up for efficient production.



HIGH PERFORMANCE SUCTION ROTOR FEEDING

Uniquely designed suction rotor feeding is employed to meet high speed production up to 390 sheets per minute, a wide range of paper stock can be fed with ease.

Job memory

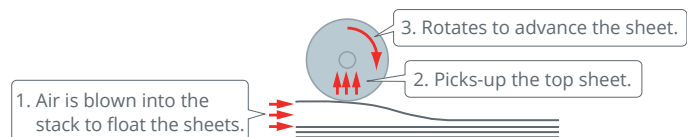
- Up to 20 jobs can be stored in memory for instant recall, this is especially useful for repeat and complicated jobs.

Air volume adjustment

- Air volume adjustment can be done to feed a wide range of paper stock from 52.3 gsm to 157 gsm.

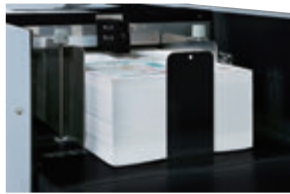
Speed adjustment

- Selective speed mode is arranged for 5 steps such as high speed mode at 390 sheets per minute and quiet mode for an office environment.



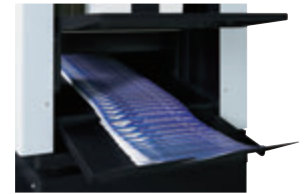
HIGH CAPACITY FEEDER

High capacity feed table (1,300 sheets of 64 gsm can be loaded) to minimize sheet loading during longer production runs.



HIGH CAPACITY DELIVERY CONVEYOR

Folded sheets are neatly stacked on the delivery conveyor for easy job handling. Up to 1,000 sheets can be stacked for efficient production.



ACCURATE SHEET REGISTRATION

Register guide ensures accurate sheet transportation and a high quality fold.



HIGH QUALITY

Crisp tight fold quality is ensured with uniquely designed combination of soft polyurethane foam rubber and steel rollers.

Roller gap can be adjusted with a simple dial to fold thinner to thicker sheets.



EASY MAINTENANCE

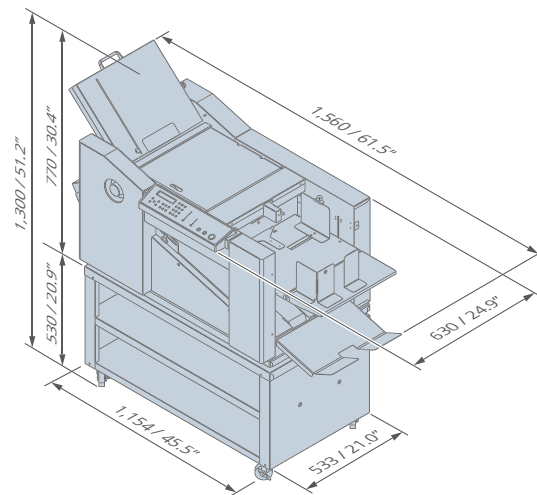
Sheet jam removal and roller cleaning can be done quick and easy with the unique maintenance feature.



SPECIFICATIONS.

Machine Dimension. (Unit: mm / inch)

PF-40L	
Installation Type	Floor Model
Sheet Feeding System	Air rotor system
Sheet Size	<p>Width × Length Max. 320 × 630 mm or 12.598" × 24.803" Note1 : For a sheet longer than 446 mm, only the fold patterns within the stopper setting range are possible. Min. 125 × 128 mm or 4.922" × 5.04"</p> <p>A3 / B4 / A4 / B5 / 11" × 17" / 8.5" × 14" / 8.5" × 11" / 5.5" × 8.5"</p>
Sheet Weight Range	<p>Normal Paper: 52 to 157 gsm Coated Paper: 73 to 157 gsm Note2 : For a sheet 430 mm or longer, only 105 gsm or thin sheets can be fed. The large and heavy sheets cannot be separated enough.</p>
Feeder Stack Height	Max. 105 mm or 4.13"
Fold Patterns	Single Fold, Double Parallel Fold, Short Fold, Accordion-Fold, Letter Fold, Open Gate Fold
Production Speed	270 sheets per minutes (A3 single fold) 390 sheets per minutes (A4 single fold)
Voltage / Frequency	Single Phase 115 to 120 V, 50 or 60 Hz Single Phase 230 V, 50 or 60 Hz
Rated Current	Single Phase 115 to 120 V, 50 or 60 Hz, 4.8 A Single Phase 230 V, 50 or 60 Hz, 2.2 A
Machine Dimensions	PF-40L : W1,560 × D630 × H770 mm or W61.5" × D24.8" × H30.4" MT-40L : W1,154 × D533 × H530 mm or W45.5" × D21.0" × H20.9"
Machine Weight	PF-40L : 135 kg or 297.7 lb MT-40L : 28 kg or 61.8 lb



*The machine design and specifications are subject to change without any notice.

*Specifications may vary depending on the job, paper quality, environmental influences, and various other factors. Please do a test run before starting production.

MORE AT
HORIZON.CO.JP



Horizon

Horizon International Inc.

1601 Asahi, Shinasahicho, Takashima,
Shiga, 520-1501, Japan
Phone : +81-740-25-4570
Fax : +81-740-25-5820
www.horizon.co.jp

Horizon GmbH

Pascalstrasse 20
25451 Quickborn / Germany
Phone : +49 4106 8042-0
Fax : +49 4106 8042-199
www.horizon.de